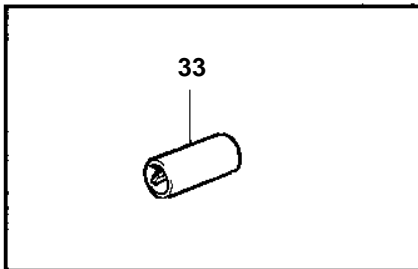
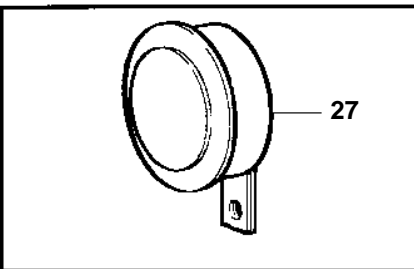
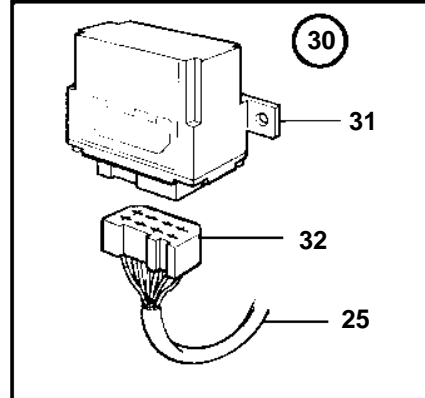
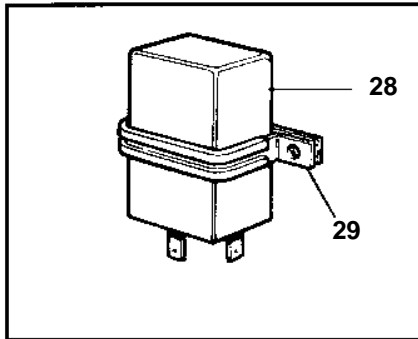
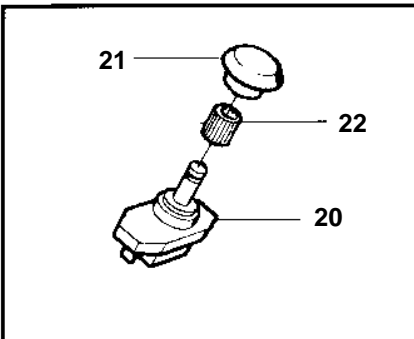
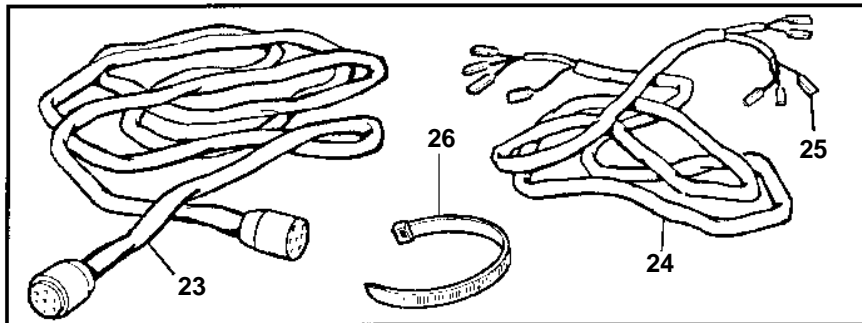
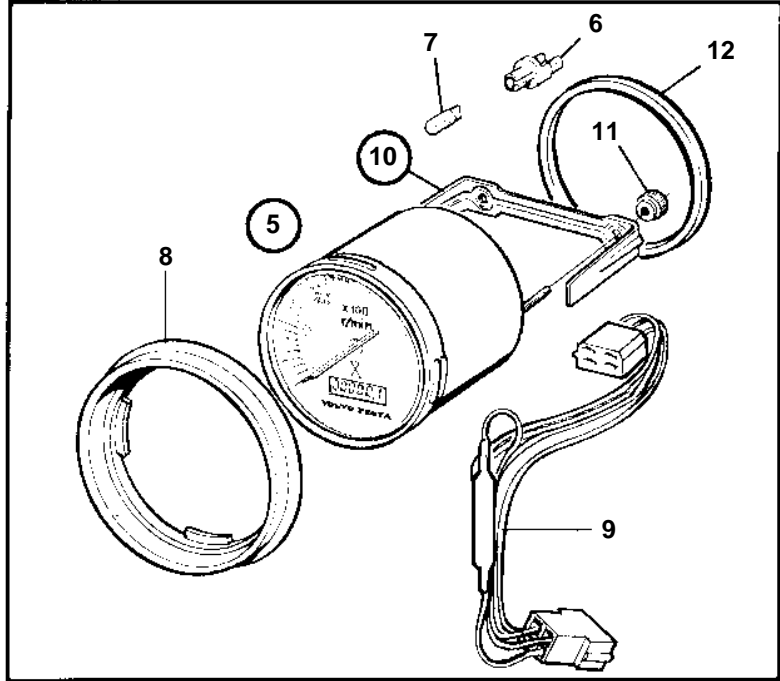
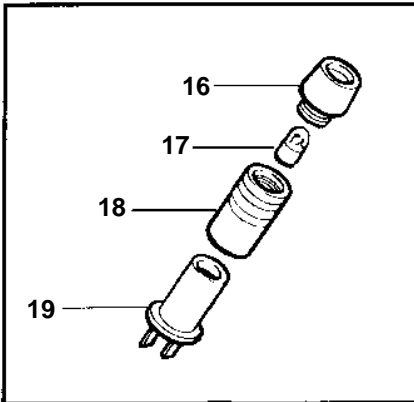
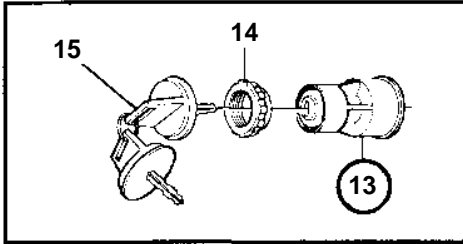
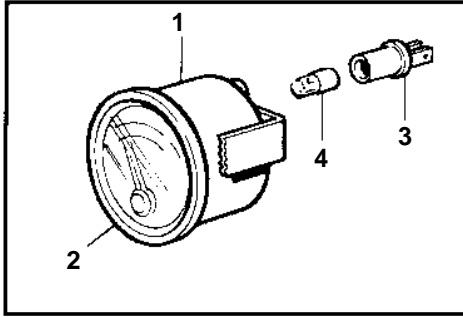


TAD1630V, TWD1630V



TAD1630V, TWD1630V

REF	PART NO.	QTY	DESCRIPTION	SEE SEC.	NOTES
1	872479	1	Hour counter		D=52mm
	849849	1	Oil pressure gauge		D=60mm
	849848	1	Thermometer, coolant water		D=60mm
	862096	1	Voltmeter		D=60mm
	863408	1	Thermometer, oil		D=60mm
	854915	1	Tachometer		D=80mm. Repl by operating clock/tachometer 874496 and intermediate ring 873721.
2	858643	1	Front ring		For 872479.
3	808175	1	Bulb socket		For bulb with base BA 7s.
	863945	1	Bulb socket		For bulb with base W2X4,6d.
4	182059	1	Bulb		24Vx3W BA7S
	828818	1	Bulb		24Vx2W BA7S
	943638	1	Bulb		24Vx1,2W, W2x4,6d. WHITE
5	873723	1	Rev counter kit		D=72mm. Repl by operating clock/tachometer 873995.
	873995	1	Rev counter kit		D=72mm. Repl by 874496
	874496	1	Rev counter kit		
6	863945	1	• Bulb socket		
7	943638	1	• Bulb		
8	873683	1	• Front ring		
9		1	• Connecting cable		
10	873208	1	• Retainer		
11		2	• • Nut		
12	873721	1	Intermediate ring		80-72mm
13	3587072	1	Starter switch		(864277)
14	859955	1	• Plastic nut		
15	859953	2	• Key		State key code when ordering.
			• Bulletin 49-30	49-30-EN	Key P/N 859953
16	827766	1	Lens		
17	182059	1	Bulb		24Vx3W BA7S
18	819350	1	Sleeve		
19	808175	1	Bulb socket		
20		1	Switch		
21	837726	1	• Knob		
22	843002	1	• Nut		
23	873012	1	Cable trunk		
24	863867		Cable trunk, extension		2500mm
	863868		Cable trunk, extension		8000mm
25			Electrical materials	1963	
26	948211		Strip clamp		
27	874050	1	Horn		24V
28	1622515	1	Level relay		
29	941772	1	Clamp		
30	872613	1	Timer relay kit		
31	874100	1	• Timer relay		
32	944076	1	• Receptacle housing		
33	1624394	1	Diode		FOR 864277